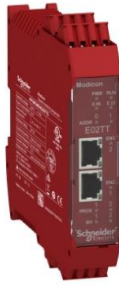


Product data sheet

Specifications



Speed monitoring 2 TTL encoder expansion module with spring term

XPSMCMEN0200TTG

Product availability: Non-Stock - Not normally stocked in distribution facility

Price*: 2,139.75 USD

Main

| | |
|---------------------------|------------------------------|
| Range Of Product | Preventa Safety automation |
| Product Or Component Type | Safe speed monitoring module |
| Device Short Name | XPSMCM |
| Electrical Connection | Spring terminal |
| [Us] Rated Supply Voltage | 24 V - 20...20 % DC |
| Discrete Input Voltage | 24 V DC |
| Function Of Module | Speed monitoring |

Complementary

| | |
|----------------------------|---|
| Power Consumption In W | 3 W |
| Power Dissipation In W | 3 W |
| Integrated Connection Type | Backplane expansion bus |
| Safety Level | Can reach category 4 ISO 13849-1 Can reach PL = e ISO 13849-1 Type 4 IEC 61496-1 SILCL 3 IEC 62061 |
| Quality Labels | CE |
| Number Of Terminal Blocks | 4 |
| Local Signalling | 1 LED green PWR power ON 1 LED green RUN RUN (status) 1 LED red E IN internal error 1 LED red E EX external error 2 LEDs orange ADDR node address 2 LEDs yellow PROX proximity sensors connection status 2 LEDs yellow SH speed monitoring status 2 LEDs yellow ENC encoder connection status |
| Connections - Terminals | 1 spring clamp terminals, removable terminal block 2 spring clamp terminals, removable terminal block |
| Maximum Input Frequency | 5 kHz sensor 500 kHz encoder TTL |
| Sensor Type | Inductive proximity sensor |
| Electrical Connection | 1 connector RJ45 EIA/TIA-568-A |
| Cable Cross Section | 0.00...0.00 in ² (0.2...2.5 mm ²) flexible without cable end 0.00...0.00 in ² (0.2...2.5 mm ²) solid without cable end 0.00...0.00 in ² (0.25...2.5 mm ²) flexible with cable end, with bezel 0.00...0.00 in ² (0.25...2.5 mm ²) flexible with cable end, without bezel 0.00...0.00 in ² (0.5...1 mm ²) flexible with cable end, with double bezel |
| Mounting Support | Omega 35 mm DIN rail EN 50022 |
| Depth | 0.89 in (22.5 mm) |

Price is "List Price" and may be subject to a trade discount – check with your local distributor or retailer for actual price.

| | |
|-------------------|----------------------|
| Height | 3.90 in (99 mm) |
| Width | 4.51 in (114.5 mm) |
| Net Weight | 0.66 lb(US) (0.3 kg) |

Environment

| | |
|---|---|
| Standards | IEC 61496-1 IEC 61800-5-1 ISO 13849-1 IEC 62061 IEC 61508 |
| Product Certifications | TÜV cULus RCM |
| Ip Degree Of Protection | IP20 enclosure) |
| Ambient Air Temperature For Operation | 14...131 °F (-10...55 °C) |
| Ambient Air Temperature For Storage | -4...185 °F (-20...85 °C) |
| Relative Humidity | 10...95 % |
| Pollution Degree | 2 |
| [Uimp] Rated Impulse Withstand Voltage | 4 kV IEC 61800-5 |
| Insulation | 250 V AC between power supply and housing IEC 61800-5-1 |
| Overvoltage Category | II |
| Electromagnetic Compatibility | Electrostatic discharge immunity test - test level: 6 kV (on contact) conforming to IEC 61000-4-2 Electrostatic discharge immunity test - test level: 20 kV (on air) conforming to IEC 61000-4-2 Susceptibility to electromagnetic fields - test level: 10 V/m (80...1000 MHz) conforming to IEC 61000-4-3 Susceptibility to electromagnetic fields - test level: 30 V/m (1.4 GHz...2 GHz) conforming to IEC 61000-4-3 |
| Vibration Resistance | +/-0.35 mm 10...55 Hz)IEC 61496-1 |
| Shock Resistance | 10 gn 16 ms) 1000 shocks on each axis IEC 61496-1 |
| Service Life | 20 year(s) |

Ordering and shipping details

| | |
|--------------------------|---------------|
| Category | US1SAF222477 |
| Discount Schedule | SAF2 |
| Gtin | 3606480748776 |
| Returnability | No |
| Country Of Origin | IT |

Packing Units

| | |
|-------------------------------------|-------------------|
| Unit Type Of Package 1 | PCE |
| Number Of Units In Package 1 | 1 |
| Package 1 Height | 1.77 in (4.5 cm) |
| Package 1 Width | 5.00 in (12.7 cm) |
| Package 1 Length | 6.38 in (16.2 cm) |
| Package 1 Weight | 8.68 oz (246.0 g) |

| | |
|-------------------------------------|-----------------------|
| Unit Type Of Package 2 | S01 |
| Number Of Units In Package 2 | 6 |
| Package 2 Height | 5.91 in (15.0 cm) |
| Package 2 Width | 5.91 in (15.0 cm) |
| Package 2 Length | 15.75 in (40.0 cm) |
| Package 2 Weight | 3.79 lb(US) (1.72 kg) |

Sustainability

Green Premium™ label is Schneider Electric's commitment to delivering products with best-in-class environmental performance. Green Premium promises compliance with the latest regulations, transparency on environmental impacts, as well as circular and low-CO₂ products.

Guide to assessing product sustainability is a white paper that clarifies global eco-label standards and how to interpret environmental declarations.

[Learn more about Green Premium >](#)

[Guide to assess a product's sustainability >](#)



Transparency RoHS/REACH

Well-being performance

Reach Free Of Svhc

Mercury Free

Rohs Exemption Information Yes

Pvc Free

Certifications & Standards

Reach Regulation

[REACH Declaration](#)

Eu Rohs Directive

Pro-active compliance (Product out of EU RoHS legal scope)

China Rohs Regulation

[China RoHS declaration](#)

Environmental Disclosure

[Product Environmental Profile](#)

Weee

The product must be disposed on European Union markets following specific waste collection and never end up in rubbish bins.

Circularity Profile

[End of Life Information](#)

California Proposition 65

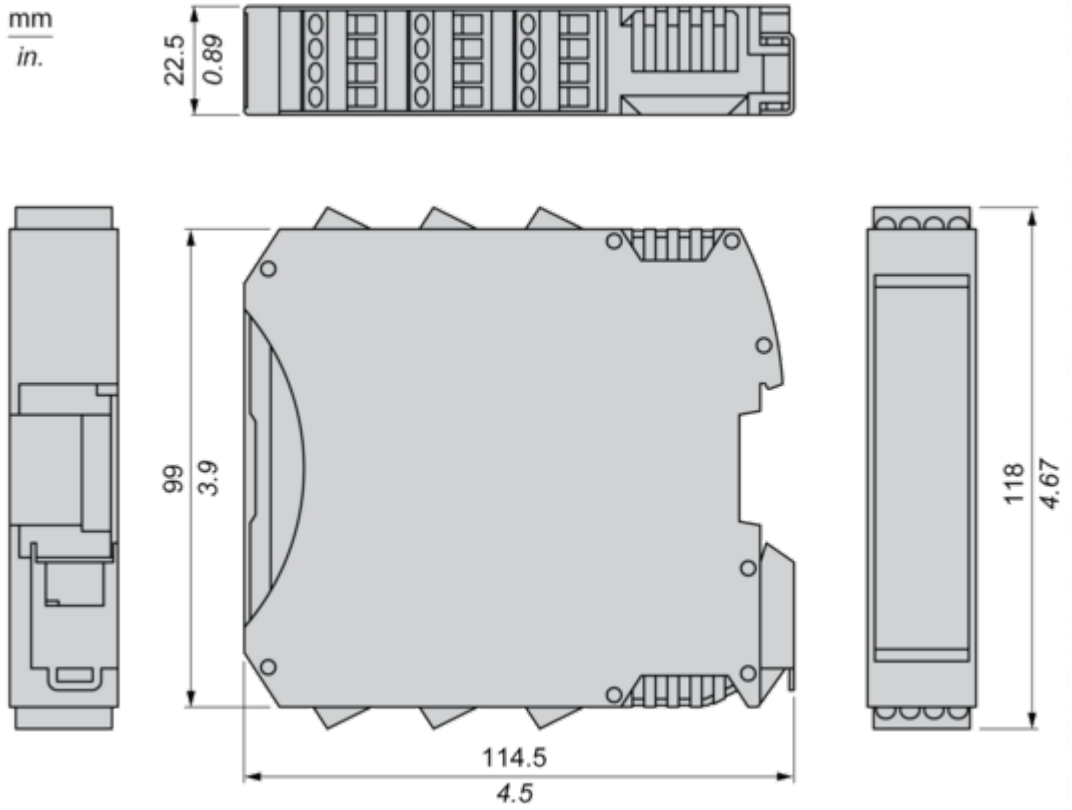
WARNING: This product can expose you to chemicals including: Lead and lead compounds, which is known to the State of California to cause cancer and birth defects or other reproductive harm. For more information go to www.P65Warnings.ca.gov

Product data sheet XPSMCMEN0200TTG

Dimensions Drawings

Dimensions

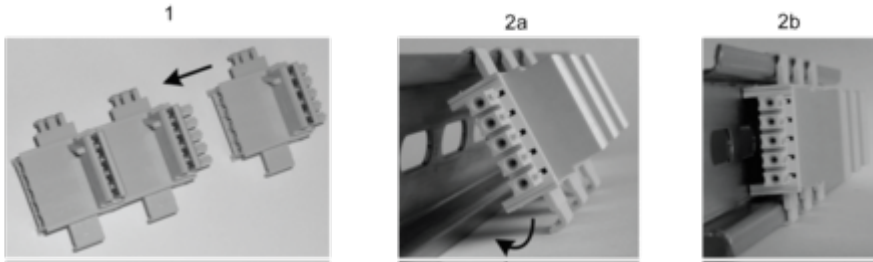
Spring Terminal



Mounting and Clearance

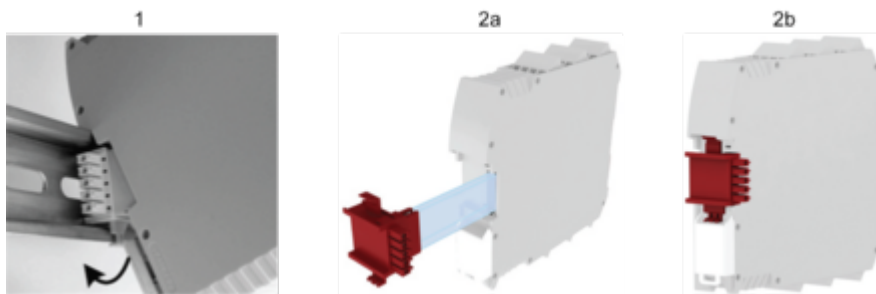
Mounting Safety Controller CPU with Module(s)

Mount BackPlane Connector on Rail



- 1 : Connect as much Backplane Connector as module to be install.
- 2 : Fix the connectors to the rail (Top first).

Mount Safety Controller CPU with Other Module(s)

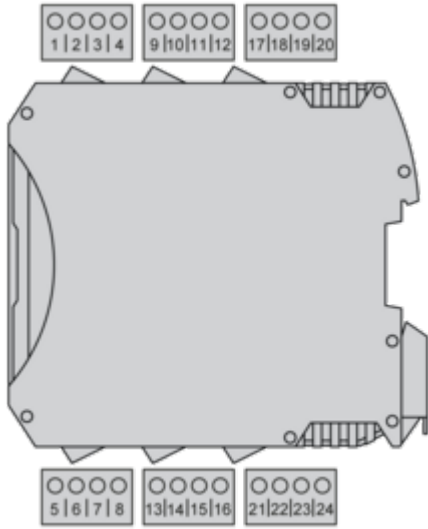


- 1 : Mount controller CPU and modules on rail.
- 2 : Make sure that the controller CPU or the module(s) are plugged on the BackPlane connector.

Connections and Schema

Wiring

Terminal Designation



| Terminal | Signal | Description |
|----------|---------------|-------------------------|
| 1 | 24 VDC | 24 VDC power supply |
| 2 | NODE_ADDR0 | Node selection |
| 3 | NODE_ADDR1 | |
| 4 | 0 VDC | 0 Vdc power supply |
| 5 | PROXY1_24V | PROXIMITY 1 connections |
| 6 | PROXY1_REF | |
| 7 | PROXY1_NO | |
| 8 | PROXY1_NC | |
| 9 | PROXY2_24V | PROXIMITY 2 connections |
| 10 | PROXY2_REF | |
| 11 | PROXY2_NO | |
| 12 | PROXY2_NC | |
| 13 | not connected | not connected |
| 14 | | |
| 15 | | |
| 16 | | |

